



INTECH
CLEAN ENERGY

Intech Energy Container



INTECH CLEAN ENERGY

Your partner for renewable energy projects

www.intechcleanenergy.com

Solar Off-Grid Systems

The Intech Energy Container is a solution to deliver energy to rural areas. Each container is equipped with a photovoltaic system coupled with a battery bank. The container comprises a monitoring system allowing remote access to all performance data online. Our Energy Containers are pre-assembled, pre-tested and pre-configured before shipment ensuring a fast and cost-efficient implementation.

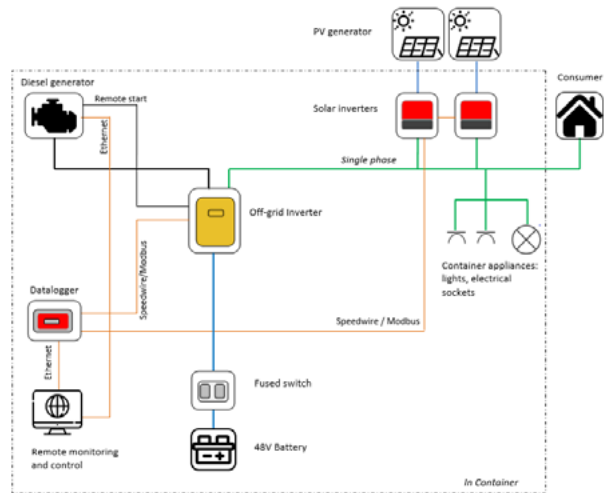
🕒 TECHNICAL DATA AND SPECIFICATIONS

GENERAL DATA	EC 10	EC 30	EC 100
Container size	20'	20'	40'
PV PLANT	EC 10	EC 30	EC 100
Total power	10 kW	30 kW	100 kW
Connection phases	1	3	3
Racking	Ground-mounted system		
BATTERY BANK	EC 10	EC 30	EC 100
Rated power	7.6 kVA	20 kVA / 16 kW	60 kVA / 48 kW
Connection phases	1	3	3
BATTERIE	EC 10	EC 30	EC 100
Technology	Lead-acid / VRLA*		
Cell quantity	24		72
System voltage	48 V		
Total capacity Ah	1 080 Ah	2 060 Ah	10 000 Ah
Total capacity kWh	52 kWh	100 kWh	480 kWh
OFF-GRID INVERTER	EC 10	EC 30	EC 100
Power (rated/30min)	6 kW / 8kW		
Inverter quantity	1	3	9
Total rated power	6kW	18 kW	54 kW

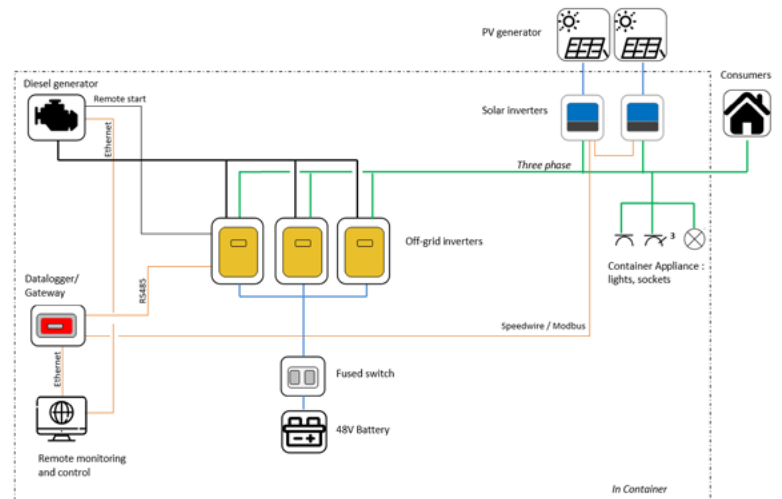
*Other battery technologies are available on demand.

SCHEMATIC

SINGLE PHASE CONFIGURATION



THREE PHASE CONFIGURATION



ADVANTAGES

- ⊙ Remote Monitoring
- ⊙ Cost effective solution
- ⊙ Fast implementation
- ⊙ Modular System
- ⊙ Robust solution
- ⊙ Easy Maintenance
- ⊙ Optional water purification

